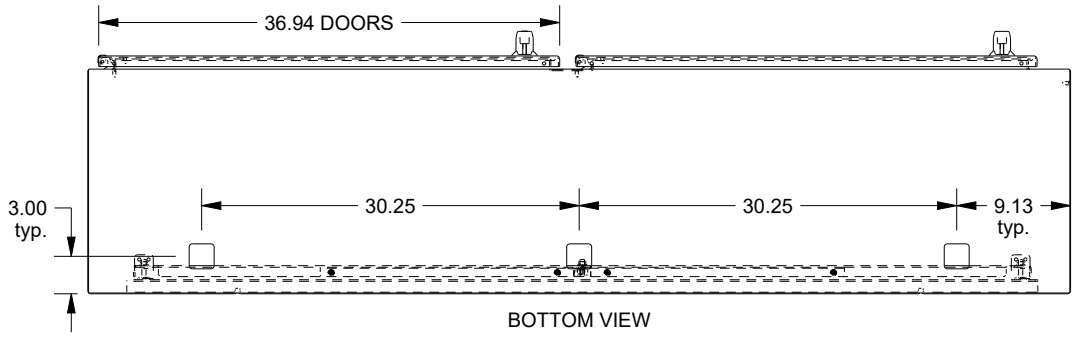
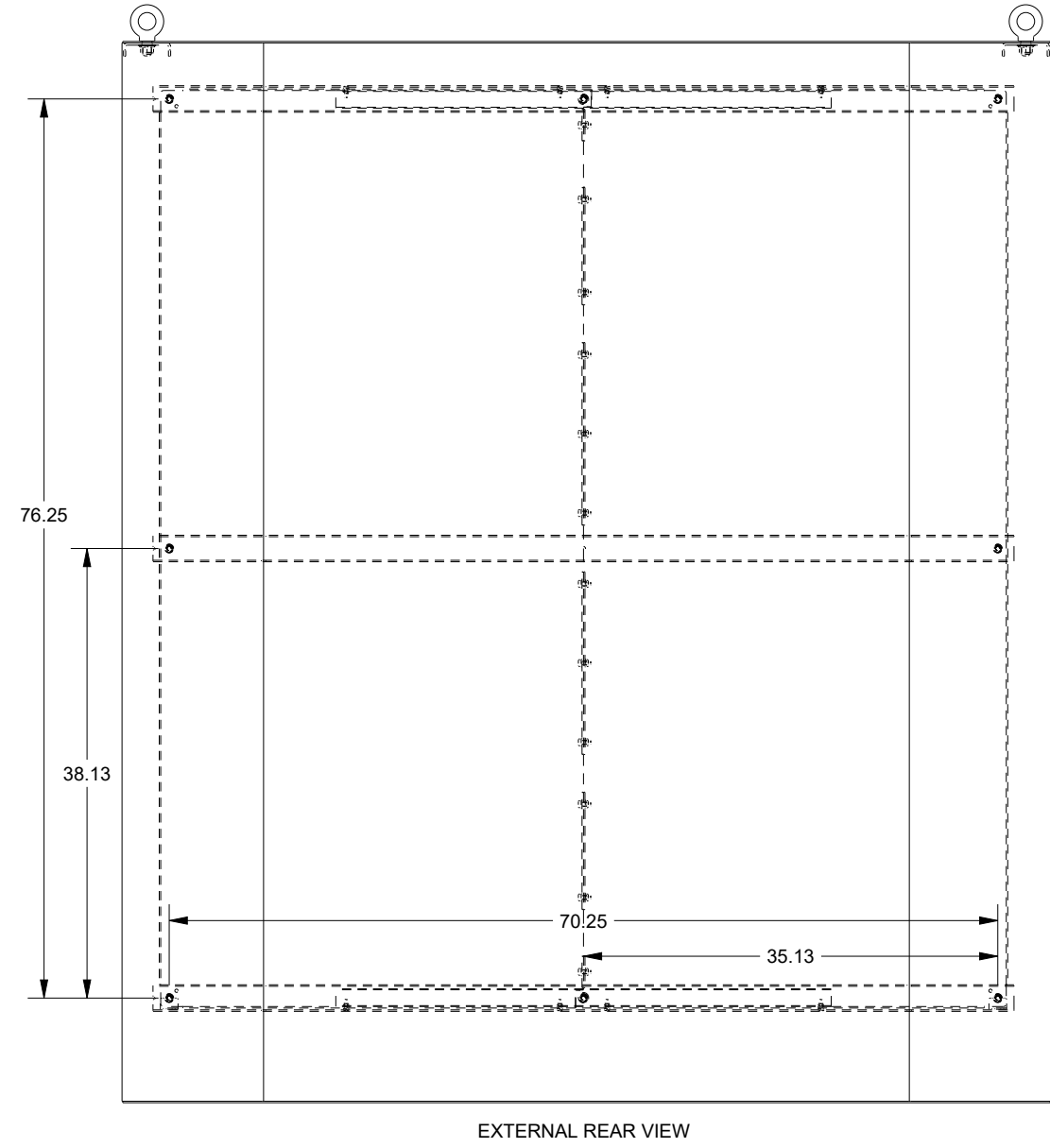
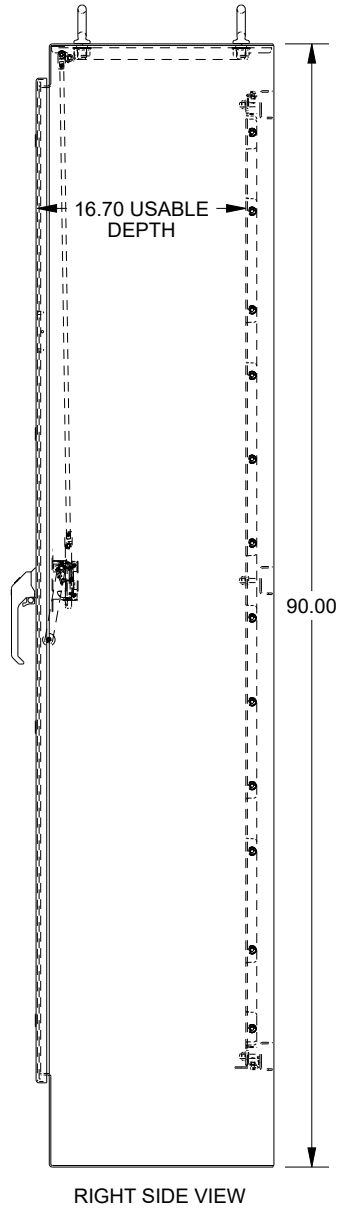
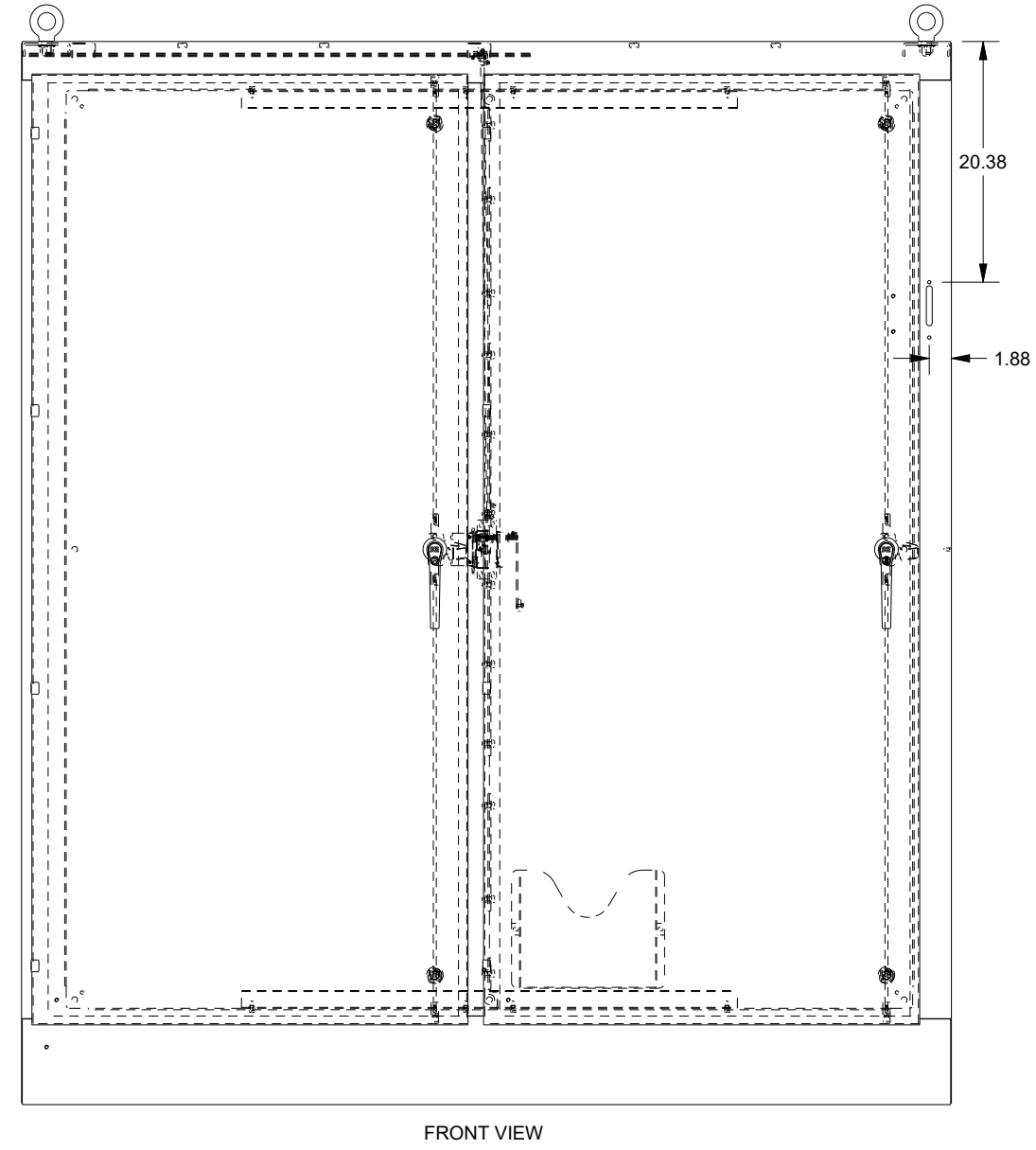
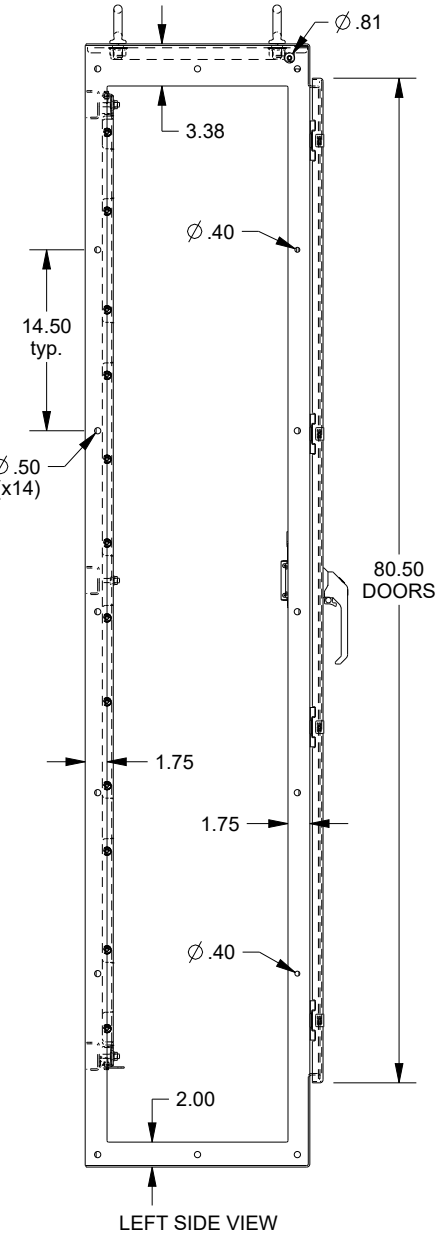
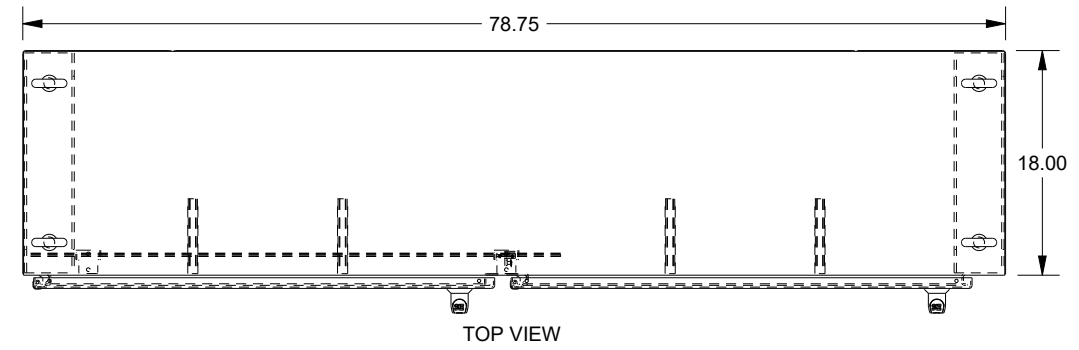


# SAGINAW CONTROL & ENGINEERING

## SCE-90XMR2D18G



WASH SYSTEM 2" SQUARE DRAIN HOLES IN THE BOTTOM WITH UL APPROVED HOLE SEALS PROVIDED